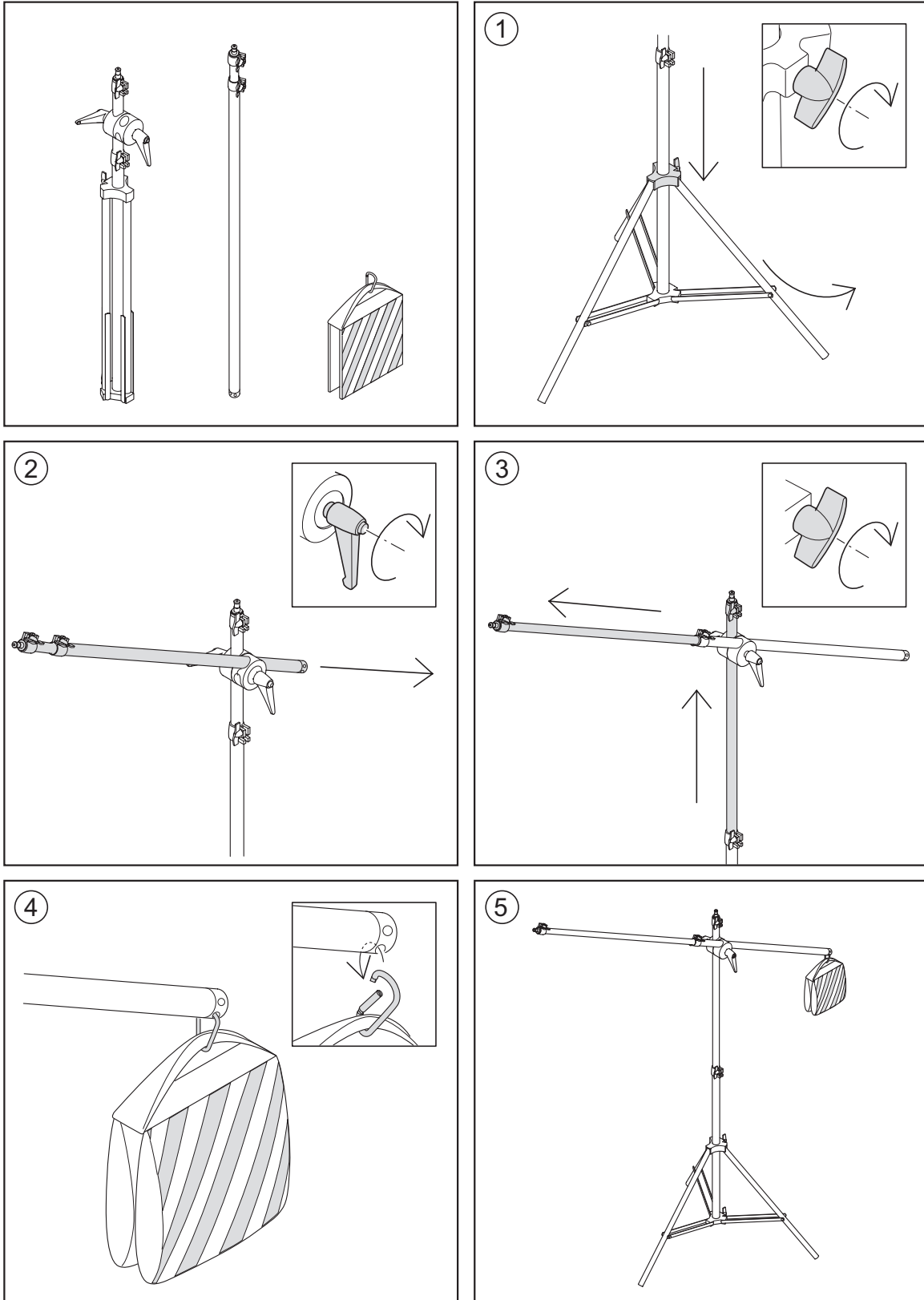


CAMLINK

CL-BOOMSTAND10



©2014 NEDIS BV. Camlink is a registered trademark of NEDIS BV. Although every effort has been made to ensure the accuracy of the information contained in this manual specifications are subject to change and therefore NEDIS BV cannot guarantee its correctness and completeness at all times.

© Any unauthorised use of the information in this manual is prohibited. No part of this manual may be reproduced, stored in a database or retrieval system, or published, in any form or in any way, electronically or mechanically, by print, photocopy, microfilm or by any other means without the express written permission of NEDIS.